

Impulse Generator

Impulse signal can be generated easily by a trigger signal. This module is suitable for various applications, such as UWB radar, UWB communications.

Model number : DsA016-100M

DsA016-2G

DsA016-10G

Specifications : Output pulse voltage 0.4V 0-p ~ 0.6V 0-p.

Output pulse width 50 ps ~ 150 ps.

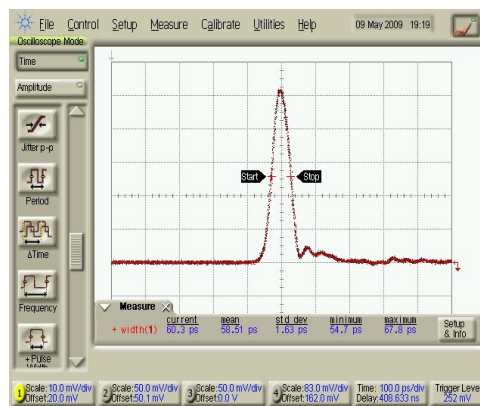
Input level

- DsA016-100M LVTTTL 1MHz~100MHz
- DsA016-2G LVDS 1MHz~2GHz
- DsA016-10G AC Coupling CML 1MHz~10GHz

DC power supply +4.0V ~ +5.0V 50mA max.

-4.0V ~ -5.0V 500mA max.

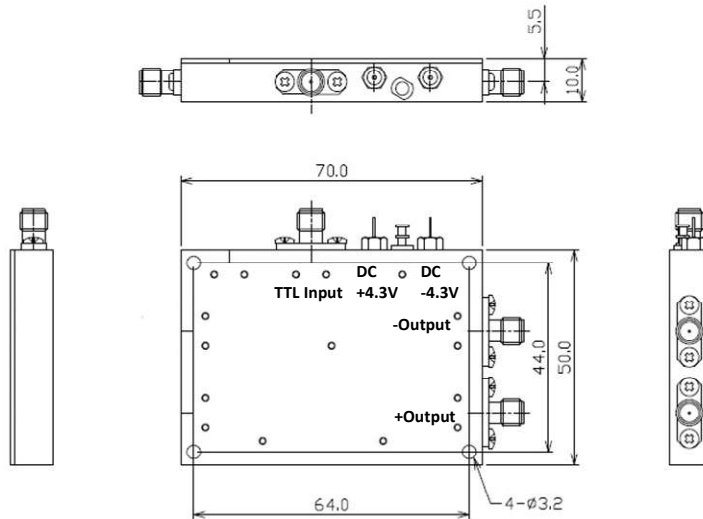
Note: When being used by a low trigger frequency, a trigger input recommends square wave input to reduce a jitter.



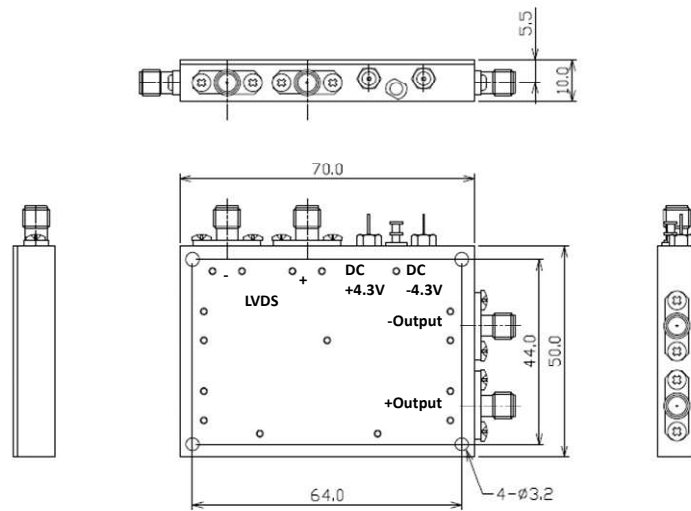
Output waveform

Pulswidth ≒ 50ps Trigger Frequency=50MHz

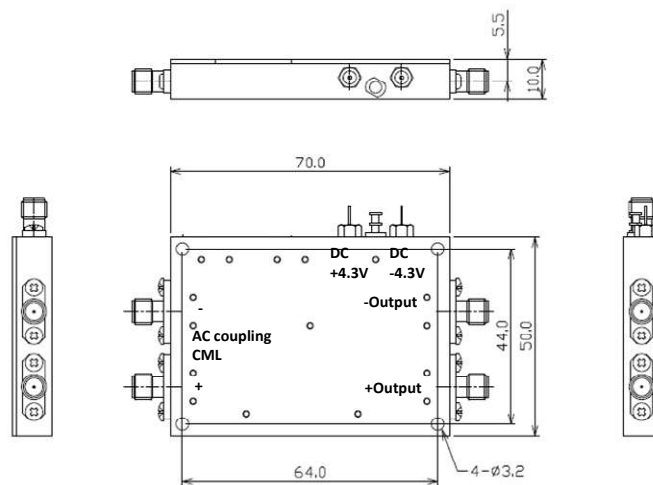
Outline



DsA016-100M

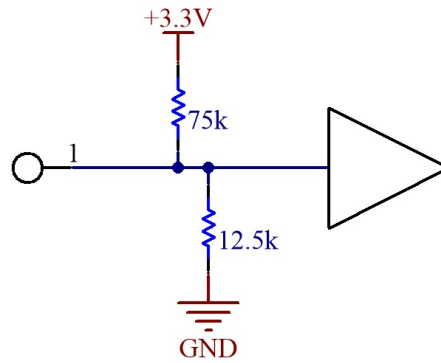


DsA016-2G

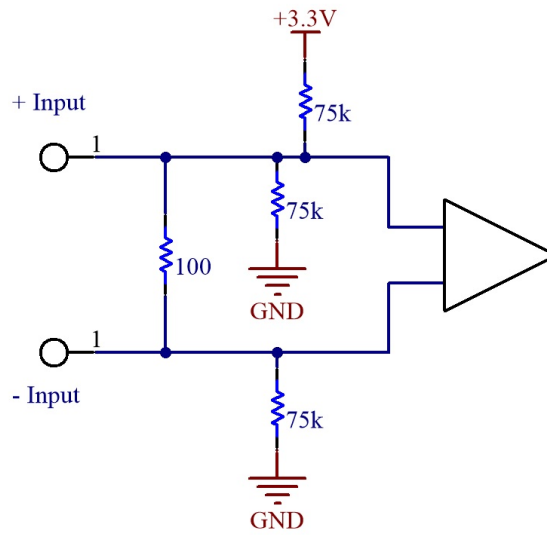


DsA016-10G

LVTTTL Level



LVDS Level



AC Coupling CML Level

