

## MIMO Radar Platform (B204-01)

# miRadar® 8

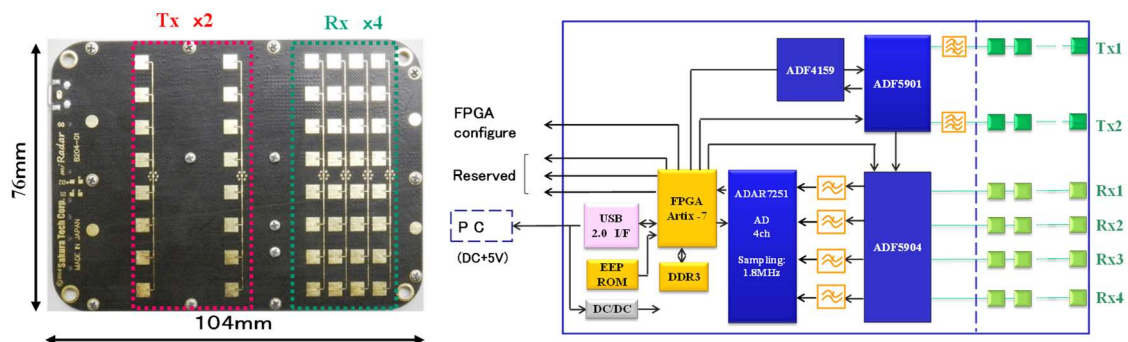
The *miRadar 8* is a highly integrated 24GHz radar sensor module solution using the high performance radar chipset by Analog Devices and a low power consumption FPGA by Xilinx.

The radar sensor solution is suitable for any object detector applications with wider azimuth angle, such as safety drive, home/building security, robotics, civil engineering services and etc. Especially, MIMO (multi input multi output) radar technology enables higher precision and wider azimuth angle for the radar applications.

The *miRadar 8-EV* is the complete 24GHz FMCW radar evaluation kit, which is operated USB powered like a mobile battery. The kit enables field radar system test and demo easily and quickly.

### Key features:

- Radar type MIMO FMCW 24GHz (ARIB-STD-T73)
- Antenna 2 Tx and 4 Rx
- Azimuth cover range ±45 degrees
- Scan speed 0.16s (max), @Microsoft Surface3
- Detection range 80m (min), @Car detection case
- Output power 3steps, -4/2/8dBm
- Module size 104mm(W)×76mm(H)×6mm(D), inc. MIMO antenna
- Interface USB2.0, micro USB connector
- Power supply. DC+5V, 1.5A (max), via micro USB connector
- Operation temperature -20 to 60 °C



Sakura Tech Corporation.

Tel:+81-45-548-9611 Fax:+81-45-548-9533 e-mail:info@sakuratech.jp  
 4F-B VORT Shin-Yokohama Bldg,3-2-6Shin-Yokohama,Kouhoku-ku,Yokohama-shi,  
 Kanagawa-ken, 222-0033 JAPAN